



## 特性 Features

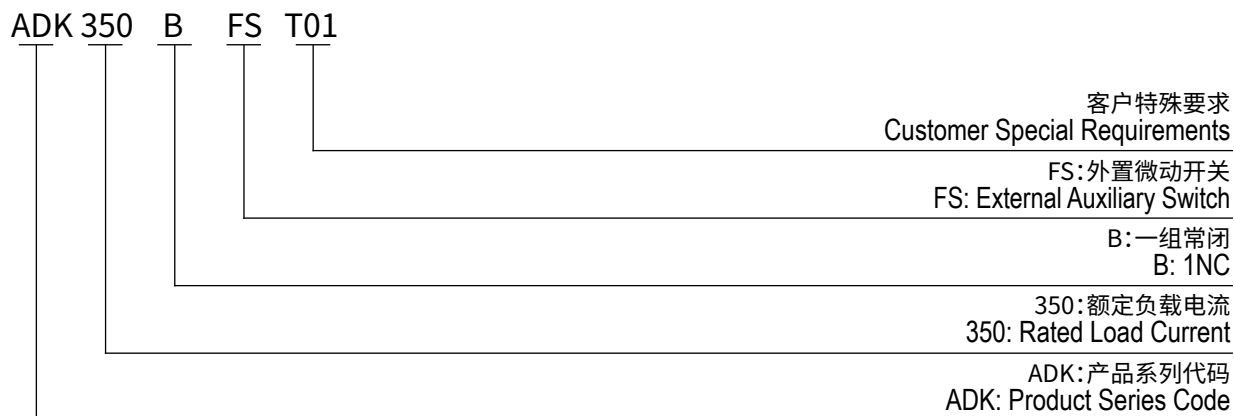
1. 持续350A负载, 触点额定电压 $\leq 72V$ ;  
Continuous 350A load, contact rated voltage  $\leq 72V$ .
2. 具有一组常闭触点形式;  
It has one set of normally closed contact.
3. 绝缘电阻达 $100M\Omega$  (500VDC), 负载触点耐压 $2.5kV$ ;  
The insulation resistance reaches  $100M\Omega$  (500VDC), and the withstand voltage between the load contacts is  $2.5kV$ .
4. IP防护等级: IP40;  
IP protection level: IP40.
5. 符合IEC 60664-1, GB/T14048.1和GB/T14048.4要求;  
Compliant with IEC 60664-1, GB/T14048.1 and GB/T14048.4 requirements.
6. 符合RoHS (2015/863/EU), REACH (1907/2006/EC) 要求;  
Compliant with RoHS (2015/863/EC) and REACH (1907/2006/EC) requirements.
7. 安规认证: CE、RoHS。  
Safety certificate: CE, RoHS.

## 性能参数 (at23°C)

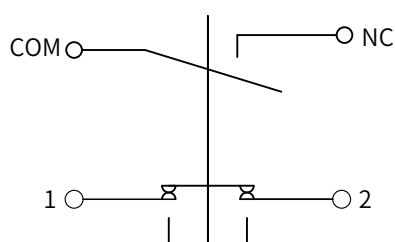
### Performance Parameters (at23°C)

触点形式 Contact Arrangement	1B (1NC)	闭合拉力 (F1) Closing Pulling Force	$30N \leq F1 \leq 50N$
接触电阻 Contact Resistance	$\leq 0.5m\Omega$	断开推力 (F2) Disconnecting Pushing Force	$30N \leq F2 \leq 50N$
接触压降 Contact Voltage Drop	$\leq 80mV$ (at 350A)	正常闭合时间 Normal Closing Time	$\leq 100ms$
过载电流 Overload Current	$\leq 7I_e, > 1s$	正常断开时间 Normal Disconnecting Time	$\leq 50ms$
温度 Temperature	$-40^\circ C \sim 85^\circ C$	介质耐压主触点间 Dielectric Strength Between Main Contacts	50Hz/60Hz 2500VAC/1min
负载端引出端型式 Load Terminal	M8内螺纹 M8 Internal Thread	绝缘电阻 Insulation Resistance	初始状态 Initial State 100M $\Omega$ 1min
振动 Vibration	2.5g, 5~50Hz, 1/2正弦波 (通电) 2.5g, 5~50Hz, 1/2 Sine Wave (Power On)		电寿命后 After Electrical Life 50M $\Omega$ 1min
湿度 Relative Humidity	5%~95%RH	冲击 Shock	稳定性 Stability 20g (通电) 20g (Power On)
外形尺寸 Dimension	75x38x123mm		强度 Strength 50g
工作制式 Operating Duty	长时 Continuous	机械耐久 Mechanical Durability	$\geq 50000$ 次 $\geq 50,000$ Times
带载耐久 (阻性) Electrical Durability with Load (Resistive)	$\geq 6000$ 次 $\geq 6,000$ Times	安装螺丝力矩M5 Mounting Screw Torque M5	3-4N.m
/	/	负载接线力矩M8 Load Wiring Torque M8	8-10N.m

## 型号说明 Model Coding



## 接线原理图 Wiring Diagram



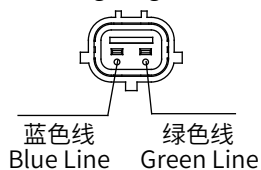
接线图  
Wiring Diagram

COM辅助公共端子  
COM Auxiliary Common Terminal

NC辅助常闭端子  
NC Auxiliary Normally Closed Terminal

1,2为触点接线端  
1,2 Contact Terminals

插头示意图  
Plug Diagram



插头: DJ70216Y-1.8-11

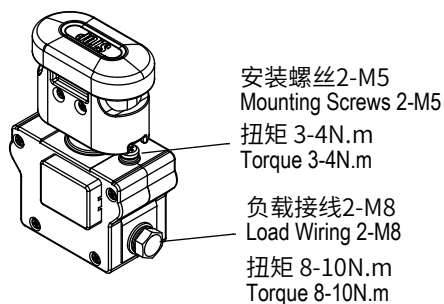
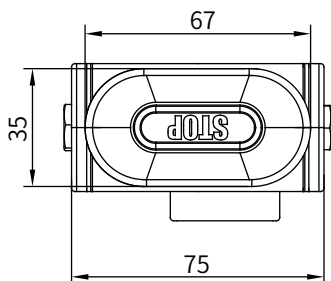
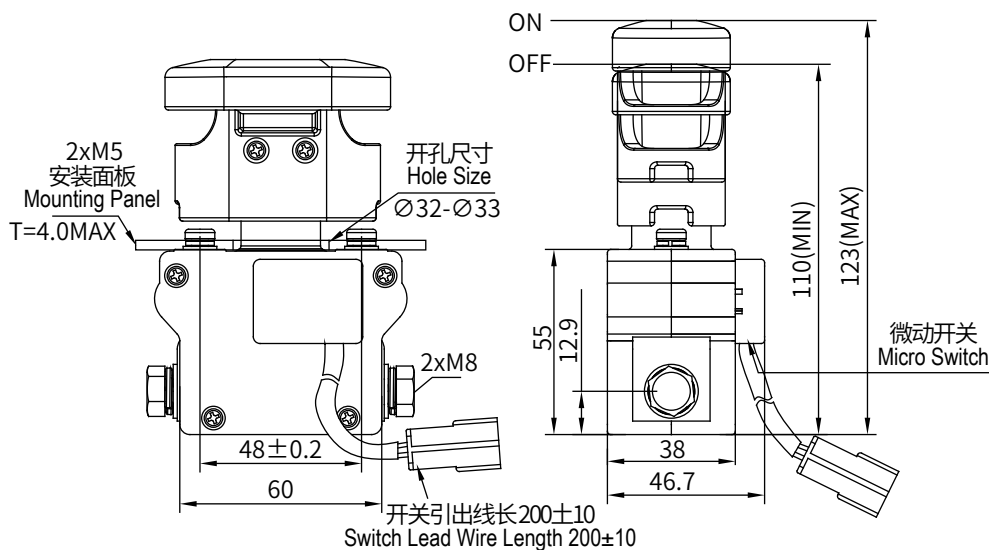
Plug: DJ70216Y-1.8-11

端子: DY611-F1-8

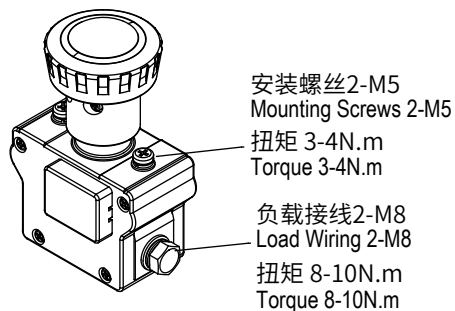
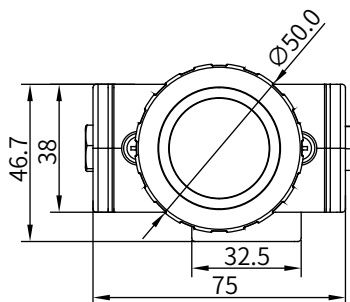
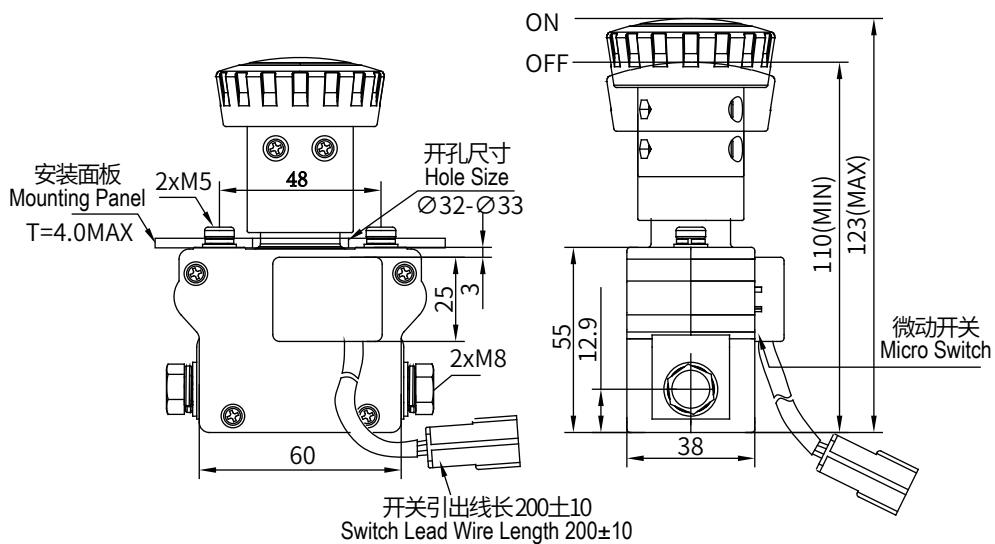
Terminal: DY611-F1-8

# 外形安装尺寸图 Outline Installation Dimension Drawing

## 椭圆手柄 Oval Handle



## 圆形手柄 Round Handle



## 使用注意事项 Usage Cautions

1. 本资料仅供客户选型参考，奥凯已尽力确保本资料中信息的准确性。产品规格、参数可能因产品改良等发生变更，而未及时更新导致规格参数不一致。具体每个产品的参数及性能请以奥凯提供的样品及对应签字受控的承认书为准。

This document is only for customer selection reference, AOKAI has tried the best to ensure the accuracy of the information in this document. Product specifications and parameters may be changed due to product improvement etc., they may be inconsistent because of not updated in time. For the specific parameters and performance of each product, please refer to the samples provided by AOKAI and the corresponding signed and controlled specification.

2. 关于本产品的应用，客户在选型产品时，根据自己的具体使用条件和环境要求，选择与之相匹配的产品，其中未明确规定的要求条件，请与奥凯联系，以便获取更多的技术支持。

Regarding the application of this product, please select the matching product according to your specific use conditions and environmental requirements when selecting the product. If the requirements are not clearly specified, please contact AOKAI to obtain more technical support.

3. 安装使用本产品时，无论接线还是固定安装，均要求使用防松弹垫。

When installing and using this product, regardless of wiring or fixed installation, it is required to use anti-loose spring washers.

4. 安装紧固件的扭矩应在本规范要求的标准范围内，扭矩低于扭矩最小值或超出扭矩最大值，可能导致安装不牢固或破坏产品。

The torque for installing fasteners should be within the standard range required by this specification. It may cause the unstable installation or damaging the product if the torque is lower than the minimum torque or higher than the maximum torque.

5. 禁止使用高处（高度 $\geq 30\text{cm}$ ）跌落过的产品。

It is forbidden to use the product that have been dropped from a high place (height $\geq 30\text{cm}$ ).

6. 禁止在有油污的环境下使用该产品，尤其是未接线前，主端子被油污污染会严重影响导电性，影响产品寿命。

It is forbidden to use the product in an environment with oil pollution, especially before wiring, it will seriously affect the main terminals conductivity if they are polluted by oil pollution, and affect the product life.

7. 禁止超出额定电寿命使用该产品，额定电寿命到达时虽然产品还可以继续工作，但有失效、爆炸、不断开引起燃烧的风险。

It is forbidden to use the product beyond the rated electrical life. When the rated electrical life is reached, although the product can continue to work, there is a risk of failure, explosion, and burning because of non-breaking.

8. 奥凯仅做阻性电寿命验证和质量保证，产品用于有感性负载或容性负载的环境时，建议回路并联浪涌保护装置。

AOKAI only does the resistive electrical life verification and quality assurance. When the product is used in an environment with inductive load or capacitive load, it is recommended that the circuit should be connected in parallel with a surge protection device.

9. 严禁带电接线。

It is strictly prohibited to wiring when power on.